

## Sandro La Ferla backdrops

[sandrolaferla@icloud.com](mailto:sandrolaferla@icloud.com) / 80 Nassau St., New York, NY 10038 / 646-490-4820

[www.sandrolaferlabackdrops.com](http://www.sandrolaferlabackdrops.com)

Shipping Warehouse - 183 Lorraine Street, Brooklyn, NY 11231

### Backdrop Setup Instructions Extra-Wide Horizontal

If our horizontal backdrops are not wide enough for you ( 12 feet maximum) we have created many that are extra wide.

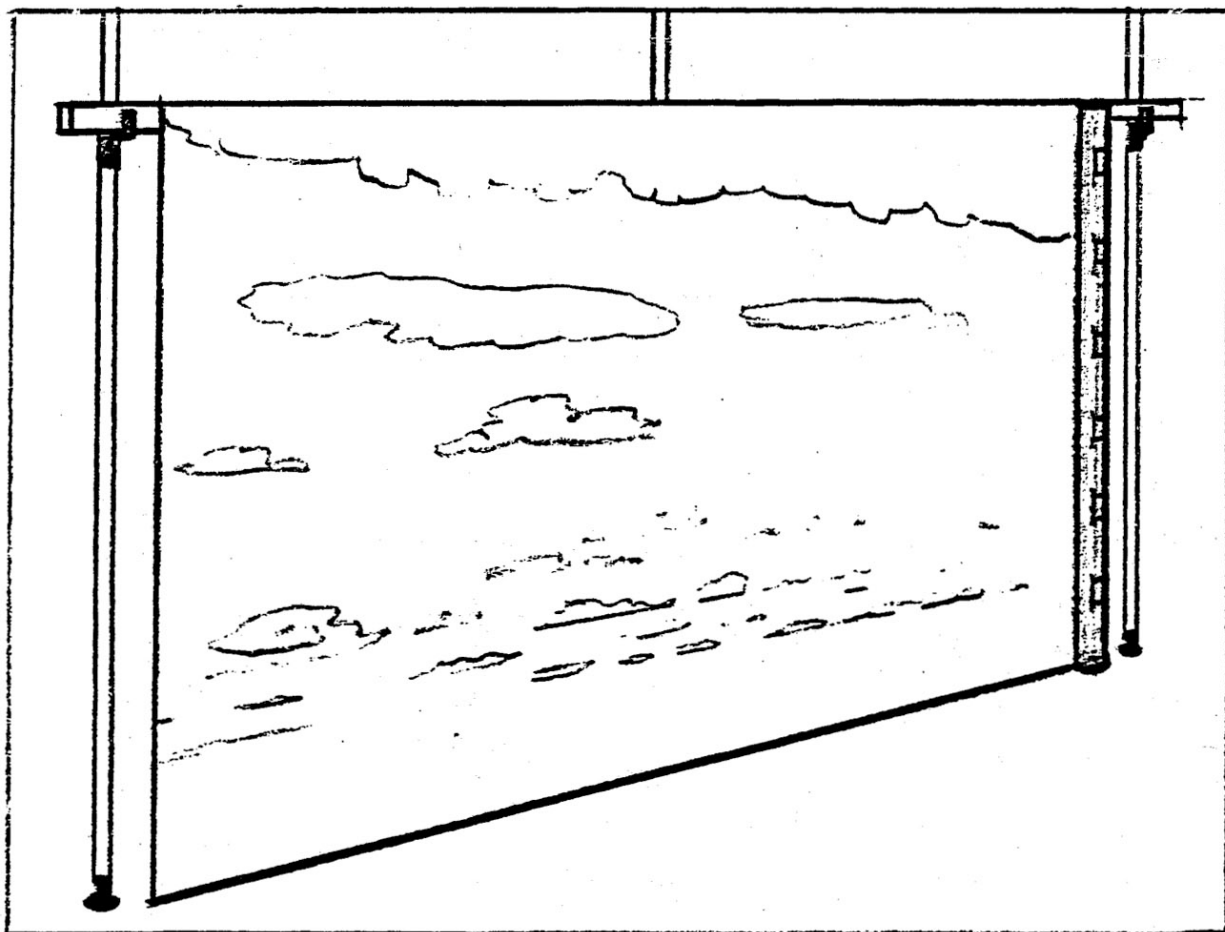
Especially made to suit those wide angle lens visions, these backdrops can vary from 10' high by 20' wide to 12' high by 30' wide. They always come rolled on their side on a 10' or 12' cardboard tube.

Because of its size, setting up one of these backdrops demands extra care.

Basically a horizontal batten, the length of the backdrop, needs to be created. This batten will require one or two extra polecats to support the middle in addition to the ones at each end.

Painted canvas is more flexible than your seamless paper but it will still crease if not handled gently.

Do not crumple, fold or crease. We want to avoid damages. If you need help please call us.

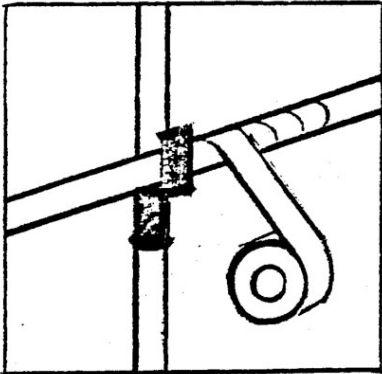


## Sandro La Ferla backdrops

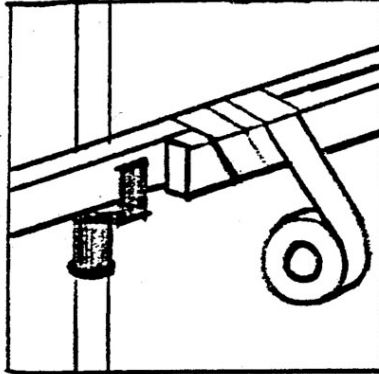
sandrolaferla@icloud.com / 80 Nassau St., New York, NY 10038 / 646-490-4820

www.sandrolaferlabackdrops.com

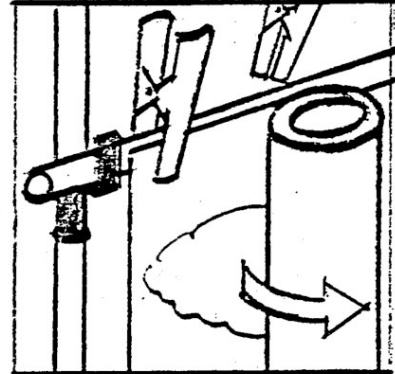
Shipping Warehouse - 183 Lorraine Street, Brooklyn, NY 11231



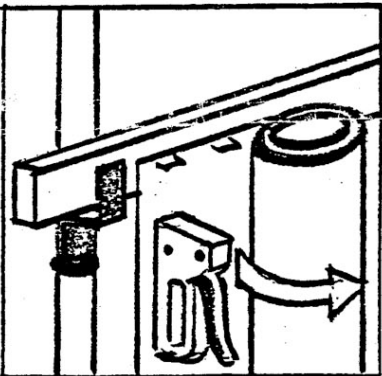
1. Set up polecats and hooks at the same height as backdrop. Extend aluminum crossbars and reinforce with tape.



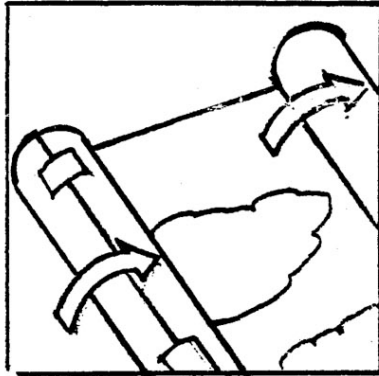
2. A batten made of 1" by 3" or 2" by 4" lumber can be used. Overlap extensions and reinforce with tape.



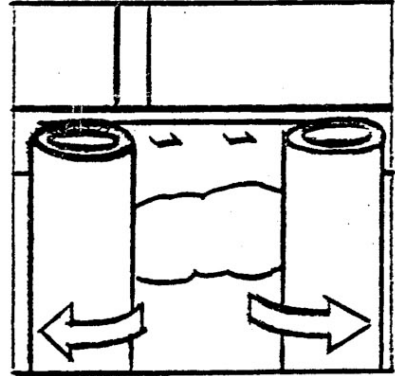
3. If an aluminum crossbar is used, hold backdrop vertically every two feet.



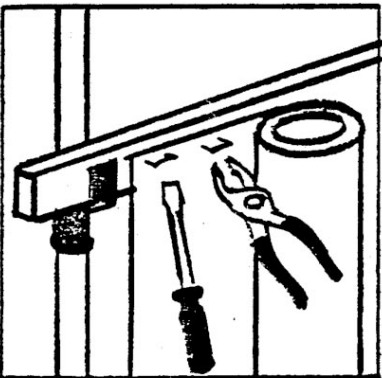
4. If a batten is used, unroll backdrop while stapling its top edge to batten. Use 9/16" or 1/2" staples. Staple every 6".



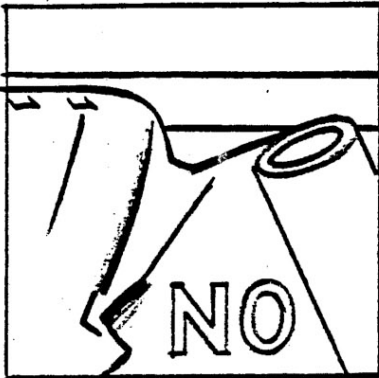
5. If you want to chose a smaller area, unroll the backdrop on the floor while rerolling the other end on a second tube. Handle the two tubes as you would a spool of film.



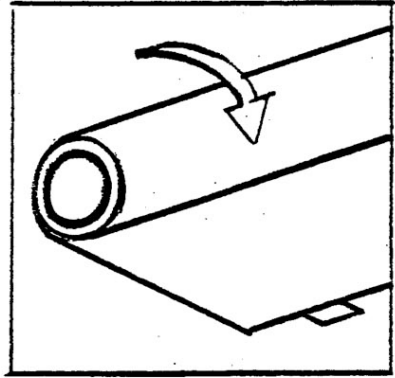
6. Using these two rolls, set up desired area. Never fold the canvas.



7. Taking down: Remove staples with screwdriver and pliers. Do not tear canvas. Reroll backdrop as you go.



8. Please do not allow backdrop to drape or crease.



9. If backdrop did not reroll tightly while vertical, repeat operation on the floor. Tape backdrop shut.