

Sandro La Ferla backdrops

sandrolaferla@icloud.com / 80 Nassau St., New York, NY 10038 / 646-490-4820

www.sandrolaferlabackdrops.com

Shipping Warehouse - 183 Lorraine Street, Brooklyn, NY 11231

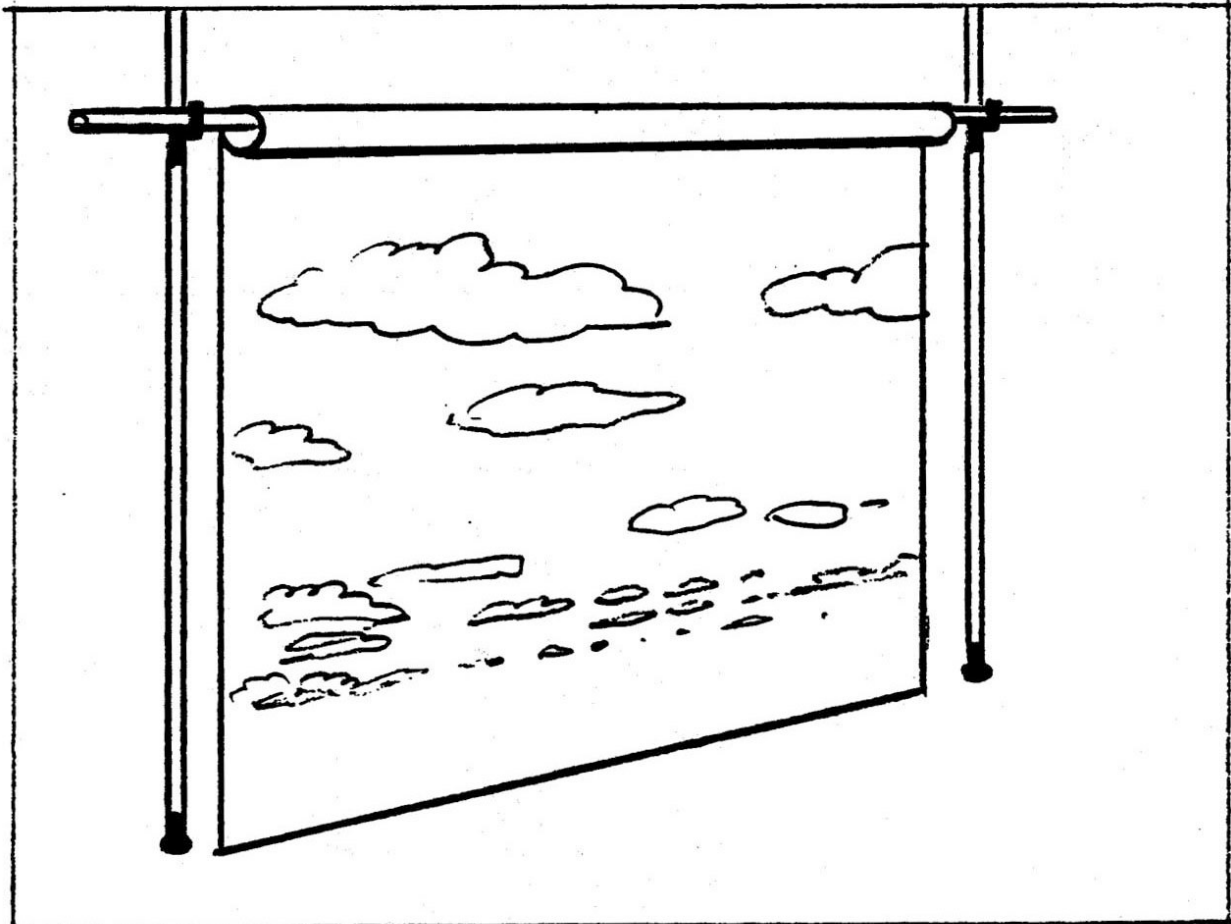
Backdrop Setup Instructions

Horizontal

The horizontal backdrop is our workhorse of backdrops. Set it up and unroll it as you would seamless paper and you are ready to shoot. The backdrop comes already stapled and taped to a cardboard tube. Please do not remove this fastening. A standard size of the horizontal backdrop is 10' high by 12' wide.

Please be careful, while painted canvas is more flexible than your seamless paper, it will still crease if not handled gently.

Do not crumple, fold or crease. We want to avoid damages. If you need help please call us.

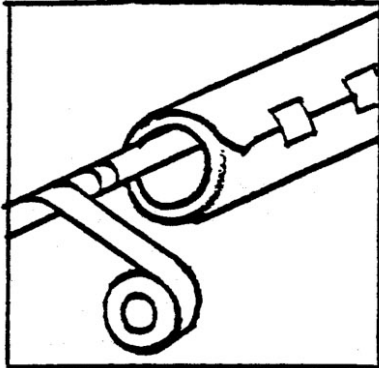


Sandro La Ferla backdrops

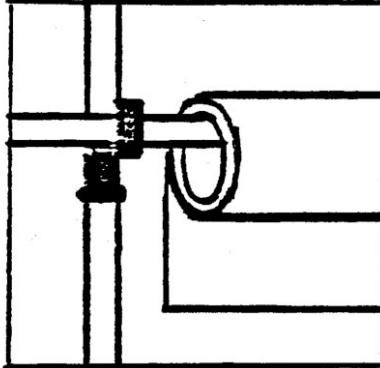
sandrolaferla@icloud.com / 80 Nassau St., New York, NY 10038 / 646-490-4820

www.sandrolaferlabackdrops.com

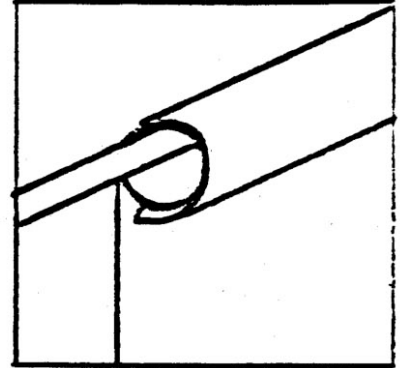
Shipping Warehouse - 183 Lorraine Street, Brooklyn, NY 11231



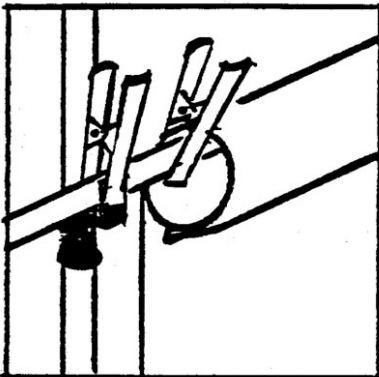
1. Setting up: slip an aluminum crossbar through the cardboard tube. If necessary add an extension and reinforce with tape.



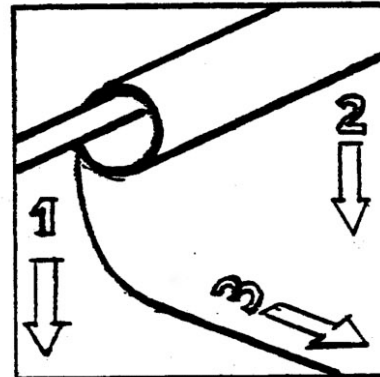
2. Set up two polecats and the crossbar. The backdrop's end is securely fastened to its tube. Please do not remove this fastening.



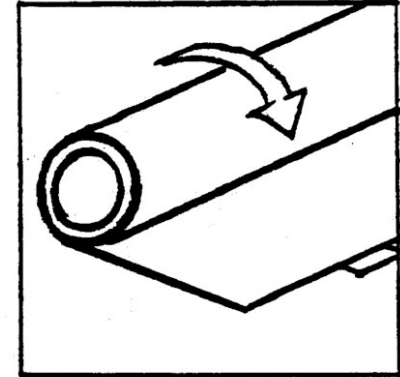
3. Control the unrolling of the canvas. Leave one turn of canvas around the end for extra safety.



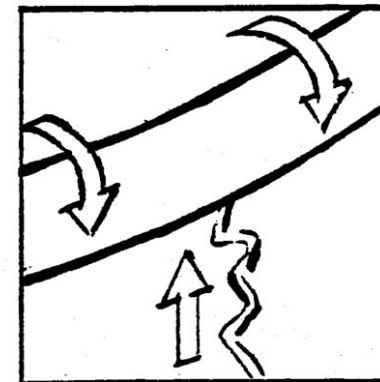
4. Clamp cardboard tube to aluminum crossbar and clamp crossbar to its hooks so that it will not turn.



5. Taking down: two people should lower the cardboard tube to the floor while a third pulls the bottom edge. Do not crease. Do not drape.



6. When backdrop is flat on the floor, reroll tightly. Tape backdrop shut and return it to its shipping bag.



7. Only if you do not have floor space and must reroll backdrop standing up; support the middle while rerolling or weight of canvas will create a wrinkle.